

ML12C/ML18C/ML24C

MATERIAL LIFTS



- A high specification material lift, with best-in-class load capacity
- Can pass through a standard doorway
- Robust and reliable
- Features a dual handle, shift-on-the-fly, two-speed winch for improved productivity

 **snorkel**
www.snorkellifts.com

ML12C/ ML18C/ML24C

MATERIAL LIFTS

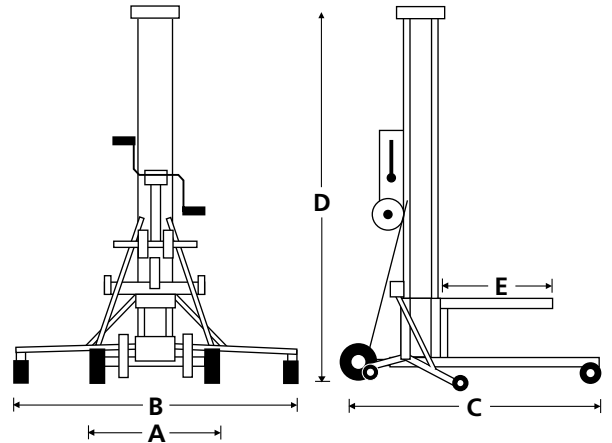
| DIMENSIONS | ML12C | ML18C | ML24C |
|-----------------------------|-------|-------|-------|
| Lift height – forks up | 4.0m | 5.6m | 7.4m |
| Lift height – forks down | 3.5m | 5.1m | 6.9m |
| Stowed width (A) | 0.77m | 0.77m | 0.77m |
| Stabiliser width (B) | 1.63m | 1.63m | 1.63m |
| Stowed length | 0.85m | 0.85m | 0.85m |
| Operating length (C) | 1.75m | 1.86m | 2.06m |
| Stowed height (D) | 2.2m | 2.2m | 2.2m |
| Fork width (outside) | 0.58m | 0.58m | 0.58m |
| Fork length (E) | 0.76m | 0.76m | 0.76m |
| Ground clearance | 60mm | 60mm | 60mm |

PERFORMANCE

| | | | |
|---|-------|---------------|-------|
| Max. load capacity (0.36m load centre) | 340kg | 318kg | 295kg |
| Max. load capacity (0.61m load centre) | 205kg | 200kg | 195kg |
| Max. load capacity (1.07m in load centre) | 91kg | 84kg | 80kg |
| Min. load height | 150mm | 150mm | 150mm |
| Winch (high speed) | | 13.1 cranks/m | |
| Winch (low speed) | | 49.2 cranks/m | |

WEIGHT

| | | | |
|--------|-------|-------|-------|
| Weight | 111kg | 141kg | 162kg |
|--------|-------|-------|-------|



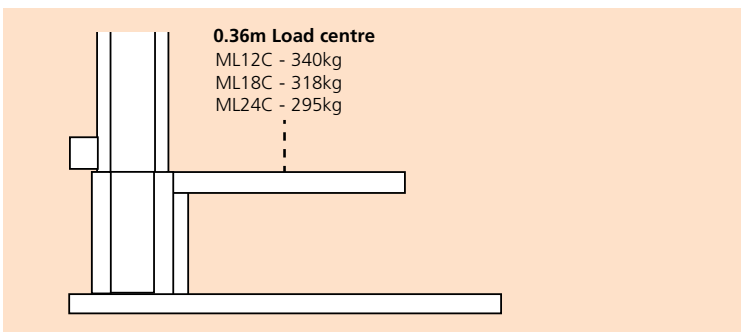
STANDARD FEATURES

- Stabilisers with non-marking swivel casters (ML18C & ML24C)
- Mast brake
- Cable guard
- Non-marking transport/loading wheels
- Dual handle, two-speed shift-on-the-fly winch
- Metal cable pulleys with sealed bearings
- Heavy-gauge aluminium extrusions
- Heavy-duty, non-marking casters
- Quick-fold stabilisers
- Crane attachment point
- 2 year parts & labour, 5 year structural warranty
- CE approved

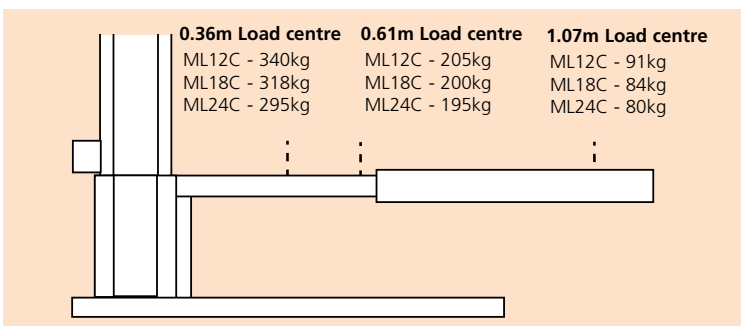
OPTIONS

- Special paint colours
- Adjustable forks
- Boom
- Pipe cradle
- Fork extensions
- Load platform
- Stabilisers with non-marking swivel casters

LOAD CAPACITY - STANDARD FORKS



LOAD CAPACITY - EXTENDED FORKS



snorkel www.snorkellifts.com

Vigo Centre, Birtley Road,
 Washington, Tyne & Wear,
 NE38 9DA, U.K.

t: +44 (0) 845 1550 057
 e: sales.emea@snorkellifts.com