

S3010E

SELF PROPELLED MINI SCISSOR



- Compact & lightweight electric mini scissor lift
- Can be driven at full height
- Zero inside turning radius
- Drives through a standard doorway
- Ideal for low-level interior installation and maintenance applications

 **snorkel**
www.snorkellifts.com

SELF PROPELLED MINI SCISSOR

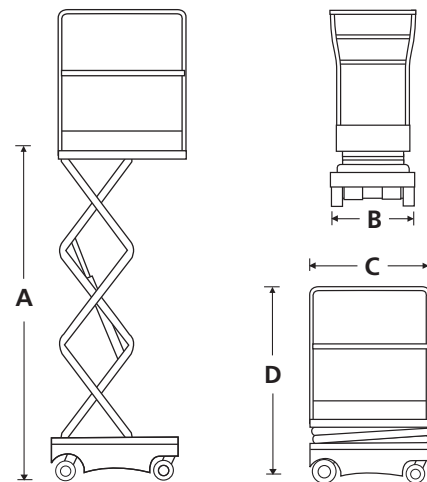
S3010E

DIMENSIONS	S3010E
Max. working height	5.0m
Max. platform height (A)	3.0m
Platform size	1.02m x 0.52m
Overall width (B)	0.77m
Overall length (C)	1.26m
Stowed height (D)	1.82m
Ground clearance	40mm

PERFORMANCE	
Platform capacity (SWL)	227kg
Max. drive height	3.0m
Max. drive speed (stowed)	2.8km/h
Max. drive speed (elevated)	0.65km/h
Raise/lower time	18/25 sec
Gradeability	25%
Max. operating slope	2°
Inside turning radius	0m
Outside turning radius	1.3m
Tyres	2 x 230mm dia. solid rubber non-marking
Parking brake	2 wheel automatic
Drive system	DC direct drive
Controls	2 axis proportional joystick

POWER	
Power source	2 x 12V 105Ah
Battery charger	100-240V 50/60Hz Auto, 30Amp

WEIGHT	
Gross weight	495kg



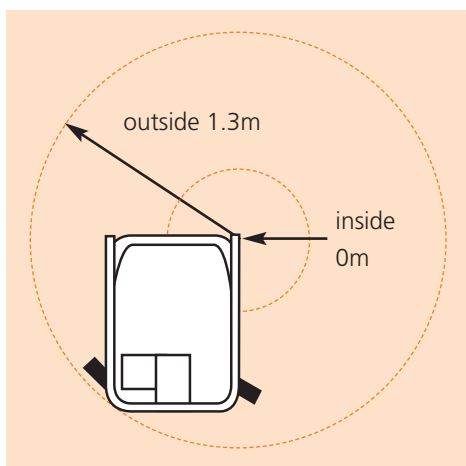
STANDARD FEATURES

- Proportional controls
- Highly manoeuvrable skid steer, zero inside turning radius
- Descent and tilt alarms
- High amp hour rating
- Emergency lowering at chassis controls
- Non-marking solid rubber tyres
- Forklift pockets
- Saloon door style platform entry
- Horn
- 1 person + equipment indoors only
- Selectable motion alarm
- CE approved

OPTIONS

- Special paint colours

TURNING RADIUS



snorkel www.snorkellifts.com

Vigo Centre, Birtley Road,
Washington, Tyne & Wear,
NE38 9DA, U.K.

t: +44 (0) 845 1550 057
e: sales@snorkellifts.com